
**CHECK THE PARTS RECEIVED IN THE KIT WITH THE PARTS LIST
IN THESE INSTRUCTIONS. IF ANY PARTS ARE MISSING,
CONTACT NATIONAL VENDORS' PARTS DEPARTMENT IMMEDIATELY.**

Read these instructions carefully before installing the kit.
Retain these instructions for part numbers and for future reference.

This kit contains the following:

PART NUMBER	DESCRIPTION	QUANTITY
1477114	Gum and Mint Spiral Motor	2
1467127	Gum and Mint Spiral Assembly	2
1477156	Jumper Assembly, Motor Reversing	1
1477096	Instructions, Installation	1

INSTALLING THE GUM AND MINT MOTORS AND SPIRALS

Refer to Figure 1 and Figure 2 on the other side of this sheet.

1. Remove the two right-hand spirals and motors from the Candy Tray Assembly.
2. Install one of the new spiral motors in each of these positions.
3. Connect the motor reversing jumper assembly to the right-hand motor.
4. Connect the tray harness to the second motor from the right and to the jumper.
5. Remove the spiral wall retainers for these two columns. Refer to RC-7 in the 147/148 Operation and Maintenance Manual.
6. Install the two gum and mint spiral assemblies.
7. Test the operation of the gum and mint spiral motors.

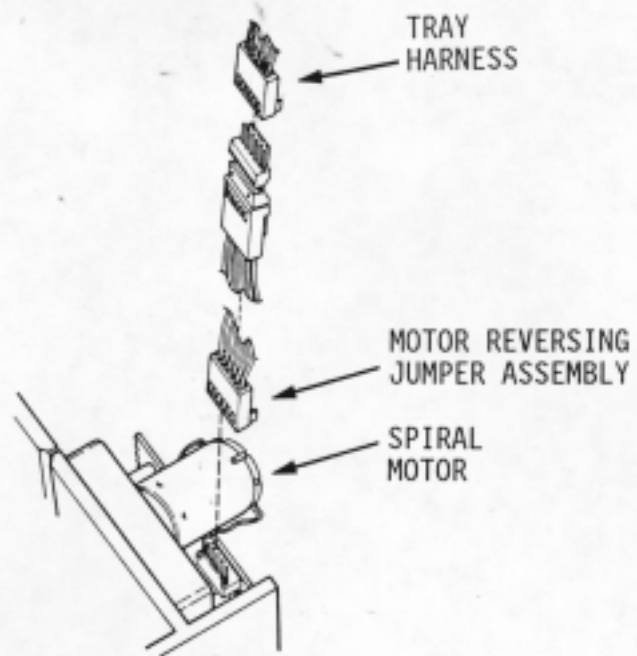


Figure 1. Installing the Motor Reversing Jumper Assembly

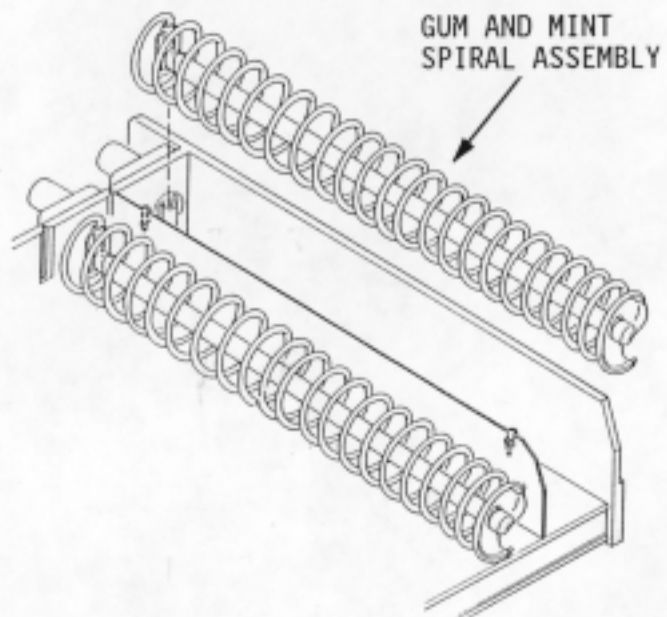


Figure 2. Installing the Gum and Mint Spiral Assembly